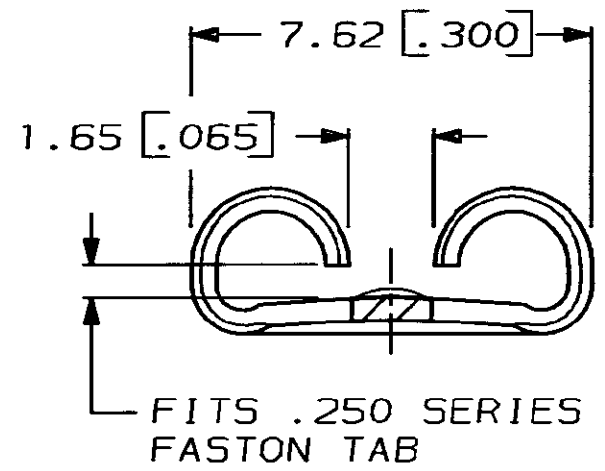
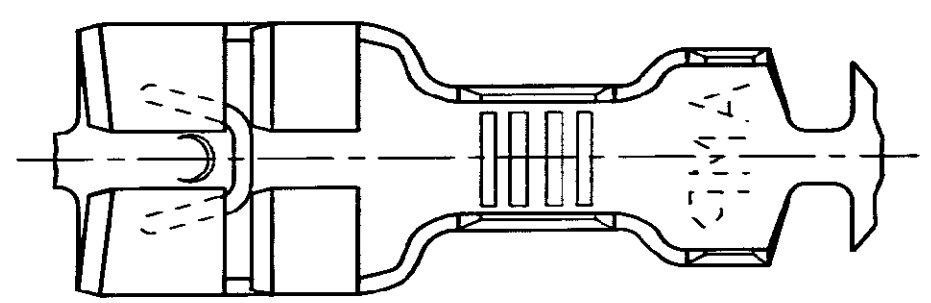


THIS DRAWING IS UNPUBLISHED. RELEASED FOR PUBLICATION, 19  
 © COPYRIGHT 19 BY AMP INCORPORATED, HARRISBURG, PA. ALL INTERNATIONAL RIGHTS RESERVED. AMP PRODUCTS MAY BE COVERED BY U.S. AND FOREIGN PATENTS AND/OR PATENTS PENDING.

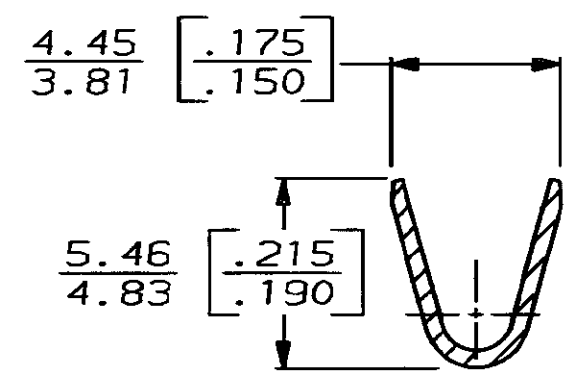
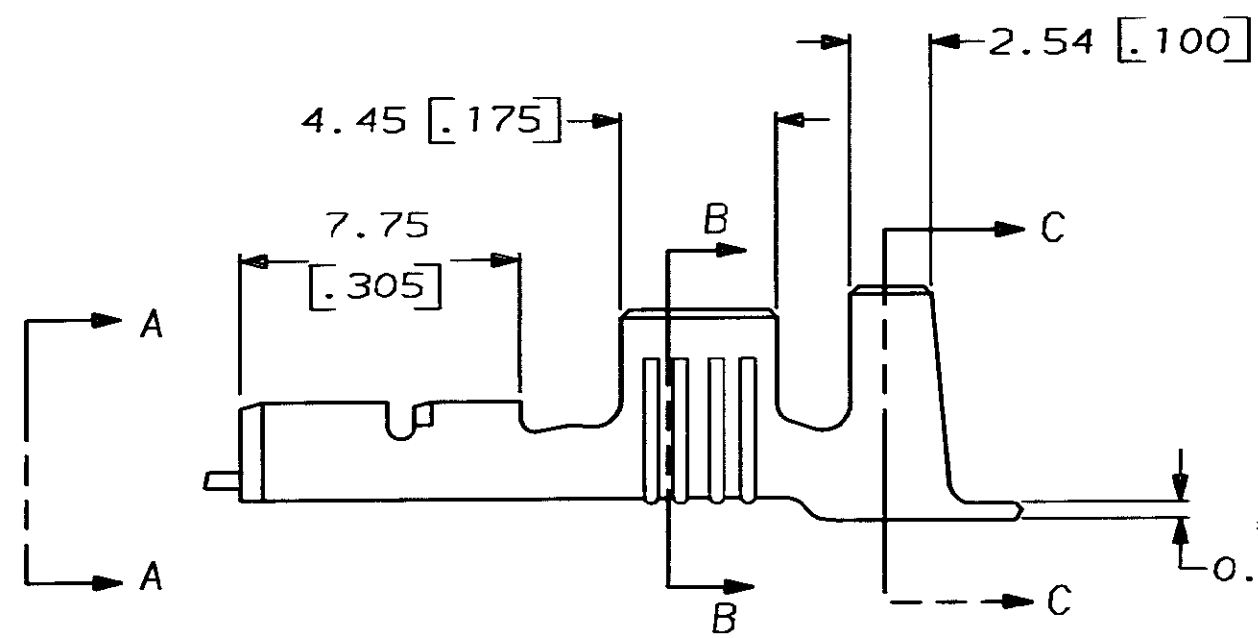
LOC AF DIST 50

REVISIONS						
P	F	ZONE	LTR	DESCRIPTION	DATE	APPROVED
			H	REVISED AF-6391	11/28/89	JR/CM

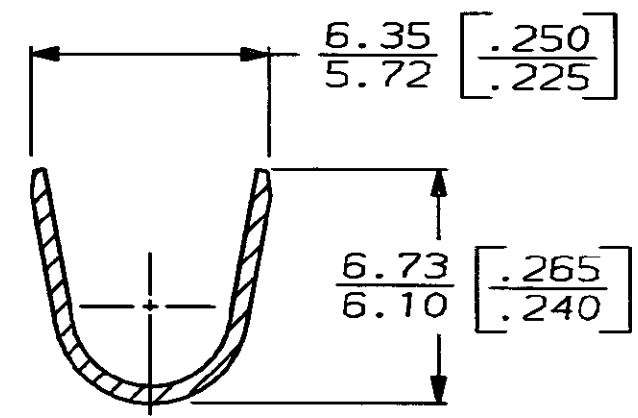


1- DIMENSIONS IN BRACKETS ARE IN INCHES.  
 2- CONTINUOUS STRIP ON REELS.

VIEW A-A



SECTION B-B



SECTION C-C

TIN 0.00080 MIN	5.08-3.81 [.200-.150]	2.0-5.0mm <sup>2</sup> [14-10]	±0.025 .081	±.001 [.032]	63365-2
					63365-1
	INSULATION RANGE	WIRE SIZE	MATING TAB THK.		PART NO

UNLESS OTHERWISE SPECIFIED DIMENSIONS ARE IN MM  
 TOLERANCES ON:  
 2 PL DEC ± -  
 3 PL DEC ± 0.25 [.010]  
 ANGLES ± -

DR	JR RUTH	10/10/86
CHK	M FEHER	12/1/87
APPD	C MEYERS	12/1/87
APPD	R KUZO	12/1/87
PRODUCT SPEC	-	
APPLICATION SPEC	-	
WEIGHT	-	

**AMP** AMP INCORPORATED  
 Harrisburg, Pa. 17105

NAME RECEPTACLE, FASTON,  
 LOW-INSERTION, .250 SERIES

SIZE	FSCM NO	DRAWING NO
<b>B</b>	00779	63365
SCALE	5:1	SHEET 1 OF 1

**METRIC**